



stratasys

F123 Series
Shared Office 3D Printers
SITE PREPARATION GUIDE

LIABILITY STATEMENT

The information in this document is subject to change without notice.

Stratasys, Inc. makes no warranty of any kind with regard to this material, including, but not limited to, the implied warranties of merchantability and fitness for a particular purpose. Stratasys, Inc. shall not be liable for errors contained herein or for incidental or consequential damages in connection with the furnishing, performance, or use of this material.

This document is protected by copyright. All rights reserved. Its use, disclosure, and possession are restricted by an agreement with Stratasys per software copyright. No part of this document may be photocopied, reproduced or translated into another language without the prior written consent of Stratasys, Inc.

All drawings and information herein are the property of Stratasys Inc. All unauthorized use and reproduction is prohibited.

TRADEMARK ACKNOWLEDGMENTS

Stratasys, GrabCAD, Insight and FDM are trademarks of Stratasys Ltd. and/or subsidiaries or affiliates and may be registered in certain jurisdictions. All other product names and trademarks are the property of their respective owners.

TABLE OF CONTENTS

ABOUT THE F123 SERIES PRINTERS	1
COMPONENTS.....	1
F170 Highlights.....	1
F270 Highlights.....	1
F370 Highlights.....	1
HOW TO USE THIS GUIDE.....	2
SITE PREP TASKS	3
SELECTING THE SITE.....	3
PHYSICAL SPECIFICATIONS AND SPACE REQUIREMENTS.....	3
Dimensions and Weights.....	3
Minimum Operational Clearances	4
ENVIRONMENTAL REQUIREMENTS	5
Heat Output	5
Power Consumption	5
ELECTRICAL REQUIREMENTS	5
AC Power Requirements	5
WORKSTATION REQUIREMENTS.....	7
LAN REQUIREMENTS	7
RECEIVING THE PRINTER.....	7
INSPECT CRATE FOR DAMAGE	7
PREPARING FOR INSTALLATION	7
REQUIRED TOOLS AND EQUIPMENT	7
UNPACKING THE PRINTER.....	8
Remove Shipping Materials.....	9
Remove Printer from Shipping Base - Fork Lift Instructions.....	11
Remove Printer from Shipping Base - Ramp Instructions	12



SITE PREPARATION CHECKLIST..... 14

 ELECTRICAL INSTALLATION REQUIREMENTS..... 14

 ENVIRONMENTAL REQUIREMENTS 14

 REQUIRED INSTALLATION TASKS 14

REVISION LOG

Revision	Date	Description of Changes
A	January 2017	First release of this document.
B	February 2017	Updated USB ports and material storage spec.
C	December 2017	Added heat output, updated material storage C° temperature and deleted checklist item.

SAFETY

The following basic safety tips are given to ensure safe installation, operation, and maintenance of Stratasys equipment and are not to be considered as comprehensive on matters of safety. Although the F123 Series printers are designed to be safe and reliable, access to areas of the printer are potentially dangerous.

SAFE ENVIRONMENT

- Connect equipment to a grounded facility power source. Do not defeat or bypass the ground lead.
- Know the location of equipment branch circuit interrupters or circuit breakers and how to turn them on and off in case of emergency.
- Know the location of fire extinguishers and how to use them. Use only ABC type extinguishers on electrical fires.
- Know local procedures for first aid and emergency assistance at the customer facility.
- Use adequate lighting at the equipment.
- Maintain the recommended range of temperature and humidity in equipment area.
- Do not use this product in an environment containing volatile or flammable compounds.

ABOUT THE F123 SERIES PRINTERS

The Stratasys F123 Series 3D printers incorporate the latest in innovative technology to provide you with precise prototypes from a CAD design. Stratasys' Fused Deposition Modeling (FDM) technology provides prototype parts, including internal features, which can be used to field-test form, fit, and function. Direct Digital Manufacturing (DDM) allows for the creation of customized end-use parts straight from 3D CAD data. The F123 Series printers feature a servo/belt driven XY gantry with multiple modeling material capability.

COMPONENTS

- The F123 Series Printer
- Material Package(s)
- Welcome Kit (containing documentation on how to download your user guide and common tools for maintaining the printer)
- GrabCAD Print Software Package
- A Computer Workstation (not sold by Stratasys)

F170 HIGHLIGHTS

- Maximum build area of 10 x 10 x 10 inch (254 x 254 x 254 mm)
- Material Bays: 1 model, 1 support
- Touchscreen Graphical User Interface
- Wi-Fi capabilities
- Three USB ports (2 in front, 1 in back)
- Camera for remote monitoring

F270 HIGHLIGHTS

- Maximum build area of 12 x 10 x 12 inch (308 x 254 x 308 mm)
- Material Bays: 2 model, 2 support
- Touchscreen Graphical User Interface
- Auto changeover capabilities
- Wi-Fi capabilities
- Three USB ports (2 in front, 1 in back)
- Camera for remote monitoring

F370 HIGHLIGHTS

- Maximum build area of 14 x 10 x 14 inch (356 x 254 x 356 mm)
- Material Bays: 2 model, 2 support
- Insight Software Package
- Touchscreen Graphical User Interface
- Auto changeover capabilities
- Wi-Fi capabilities
- Three USB ports (2 in front, 1 in back)
- Camera for remote monitoring

HOW TO USE THIS GUIDE

This guide provides information for selecting an appropriate location for the F123 Series printer. This guide also provides instructions for unpacking and preliminary set-up. Information of particular importance is presented in one of three formats:



Warning: A WARNING indicates a procedure that may cause injury to an operator if the procedure is not followed.

A WARNING will precede the paragraph of instruction to which it relates.



Caution: A CAUTION indicates a procedure that may cause damage to equipment if the procedure is not followed.

A CAUTION will precede the paragraph of instruction to which it relates.



Note: A NOTE is used to highlight a specific point or to provide an operational tip. While useful, a NOTE does not indicate a procedure that can cause injury or damage if it is not followed.

A NOTE will follow the paragraph of instruction to which it relates.

SITE PREP TASKS

SELECTING THE SITE

Decide where to install the printer based on the following:

1. Space Requirements
2. Environmental Requirements
3. Electrical Requirements
4. LAN Requirements



Note: The F123 Series printers are capable of generating vibrations depending mainly on part build geometry and material characteristics. This consideration will need to be taken into account if locating the printer near vibration sensitive equipment.

PHYSICAL SPECIFICATIONS AND SPACE REQUIREMENTS

DIMENSIONS AND WEIGHTS

Make sure that the installation site floor space can accommodate the printer's weight and dimensions, plus required clearances.

Crated	Width: 48 inches (122 cm) Depth: 40 inches (102 cm) Height: 76 inches (193 cm)
Uncrated	Width: 34 inches (86 cm) Depth: 28 inches (71 cm) Height: 64 inches (163 cm)
Shipping Weight (crated)	706 pounds (320 kg)
Printer Weight (uncrated)	500 pounds (227 kg)

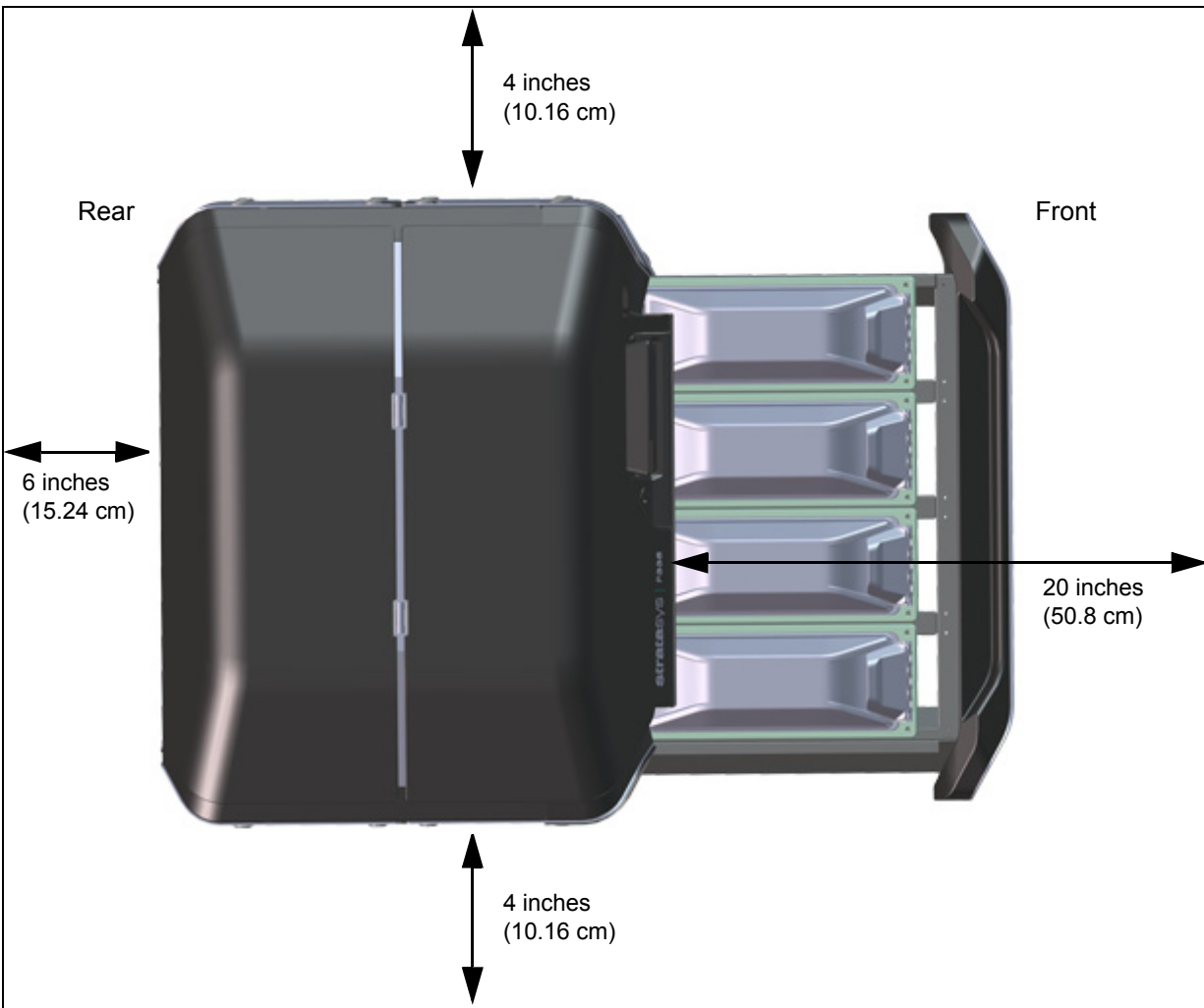
MINIMUM OPERATIONAL CLEARANCES

Sufficient rear and side clearances allow for proper air circulation, while sufficient front clearance allows enough room for the oven door and drawers to be open.

Side Clearance	Minimum 4 inches (10.16 cm) on each side
Rear Clearance	Minimum 6 inches (15.24 cm)
Front Clearance	Minimum 20 inches (50.8 cm)
Overhead Clearance	Minimum 20 inches (50.8 cm)

Figure 1: Minimum Clearances

20 inches (50.8 cm) minimum for overhead clearance



ENVIRONMENTAL REQUIREMENTS

- The F123 Series printer is for indoor use only.
- Air quality conditions with excessive solid particulates (conductive or non-conductive) may result in system damage.
- Air quality conditions in which airborne oils are allowed to accumulate on or within the printer can damage the plastic components.
- System operating temperature shall be in the range of 59°F to 86°F (15°C to 30°C), with relative humidity range of 30% to 70% non-condensing.
- System storage temperature shall be in the range of 32°F to 95°F (0°C to 35°C), with relative humidity range of 20% to 90% non-condensing.
- Altitude shall not exceed 6561.68 feet (2000 m).
- Material storage shall be in the range of 55°F to 86°F (13°C to 30°C), with relative humidity less than 70%.
- Noise emission (acoustic):
 - <32dBA when idle
 - <46dBA when building

HEAT OUTPUT

Heat dissipation occurs mostly through the top of the printer. Heat output is material dependent due to the various temperatures maintained in the build chamber.

Material Type	Heat Output (while building)	Heat Output (while idle)
ABS	~2300 BTU/hr	~1800 BTU/hr
PC-ABS	~2600 BTU/hr	~2100 BTU/hr
PLA	~550 BTU/hr	~35 BTU/hr
ASA	~2300 BTU/hr	~1800 BTU/hr

POWER CONSUMPTION

Power consumption is material dependent due to the various temperatures maintained in the build chamber.

Material Type	Power Consumption (while building)	Power Consumption (while idle)	Power Consumption (while sleeping)
ABS	650 W	510 W	10 W
PC-ABS	750 W	610 W	10 W
PLA	150 W	10 W	10 W
ASA	650 W	510 W	10 W

ELECTRICAL REQUIREMENTS

AC POWER REQUIREMENTS

- 50/60 Hz.
- Voltage: 100-132, 200-240 VAC.
- Current: 15/7A.
- The grounded electrical outlet must connect to either a Euro or a US power cord plug (provided in the Welcome Kit) and must be located within 2 m (80 inches) of the printer.

Operation of the printer outside this range is not recommended; degradation of performance and shortened component life expectancy will be experienced. Facilities who are unsure of their power quality should contact their service provider.



Caution: Do not use an extension cord or power strip; doing so can result in intermittent power issues. Connect the power cord directly into the receptacle or UPS.

WORKSTATION REQUIREMENTS

For GrabCAD Print workstation requirements please visit:

<http://help.grabcad.com/article/195-system-requirements-for-grabcad-print>.

For Insight workstation requirements please visit the Stratasys website.

LAN REQUIREMENTS

If utilizing a LAN connection for communication and file transfer functions, the LAN connection is a 100 base T, Ethernet protocol, RJ45 connector. One 15 foot (4.57 m) CAT6, 10/100 base T cable is supplied with the printer, located in the Welcome Kit. The printer will function in either DHCP or Static IP configurations.

A LAN connection is not required however, as the printer is also capable of file transfer via a Wi-Fi connection or a USB flash drive plugged into either of the printer's USB ports. See the F123 Series User Guide for detailed information and instructions on transferring files to the printer.

RECEIVING THE PRINTER

INSPECT CRATE FOR DAMAGE

Before opening the shipping crate, inspect the crate for signs of exterior damage.

Report evidence of excessive damage to Stratasys and the shipping company.

PREPARING FOR INSTALLATION

REQUIRED TOOLS AND EQUIPMENT

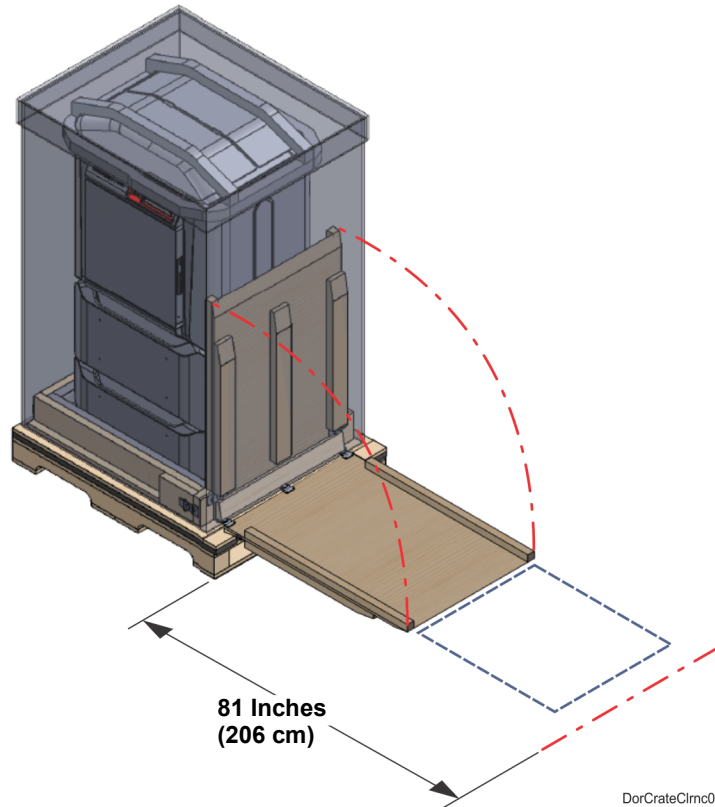
- Basic hand tools (powered screwdriver or drill with Phillips bit).
- Utility knife.
- A pallet jack or forklift may be required to move the system.

UNPACKING THE PRINTER



Note: If you intend to remove the printer from its shipping base via the ramp, make sure that there is at least 81 inches (206 cm) of clearance for the ramp and the printer before you begin the process of unpacking the printer. (Figure 2) The printer's shipping base indicates the location of the ramp.

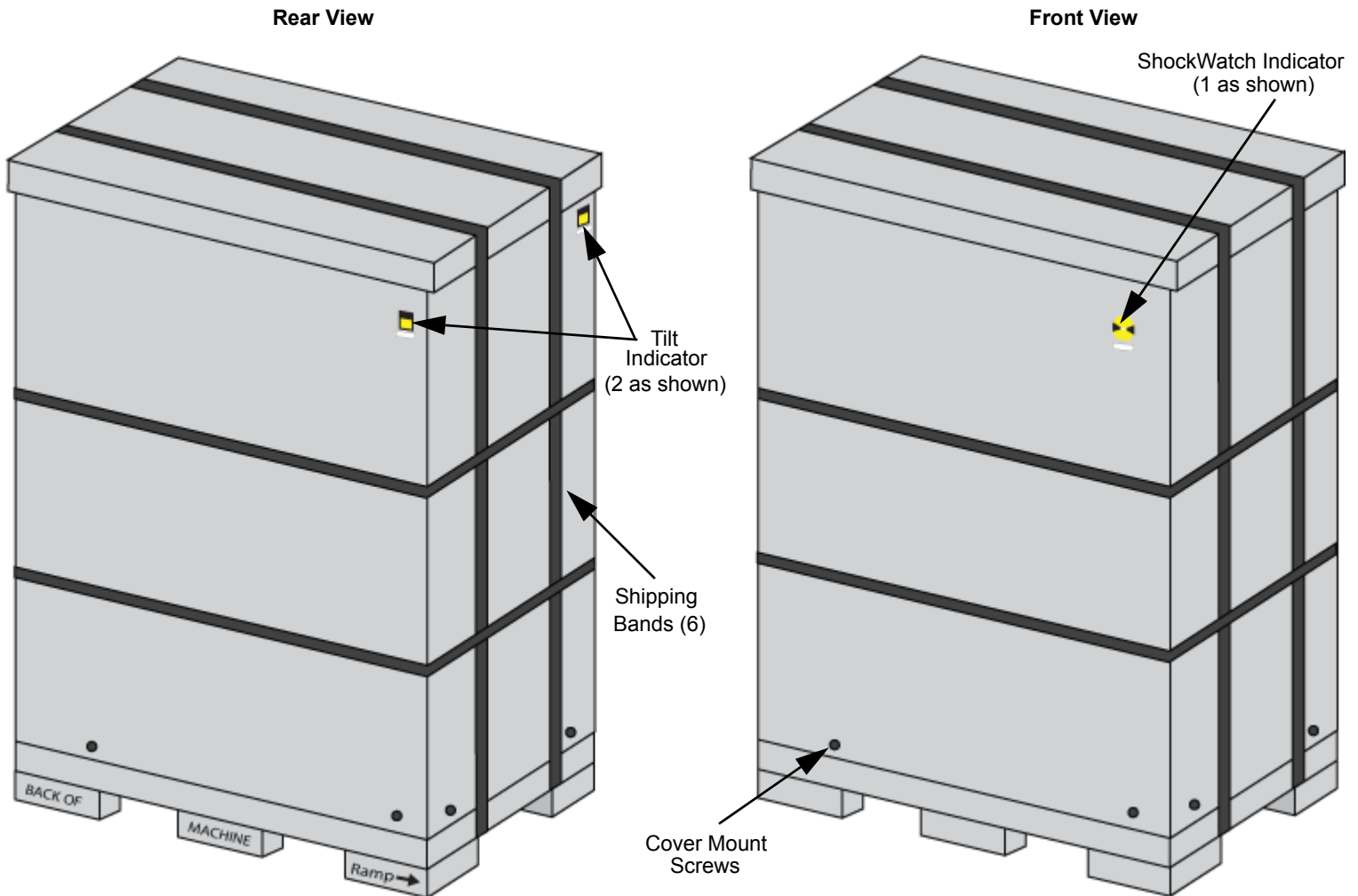
Figure 2: Ramp Clearance



REMOVE SHIPPING MATERIALS

1. Inspect the Tilt Indicators (2) and ShockWatch indicator affixed to the exterior of the cardboard box. If possible, take a picture of these indicators to share with your installation representative. If damage is detected upon installation, this photo will assist your installation representative in determining the cause of damage (Figure 3).
2. Using a Phillips screwdriver, remove the cover mount screws from the base of the crate (Figure 3).

Figure 3: Shipping Crate Detail

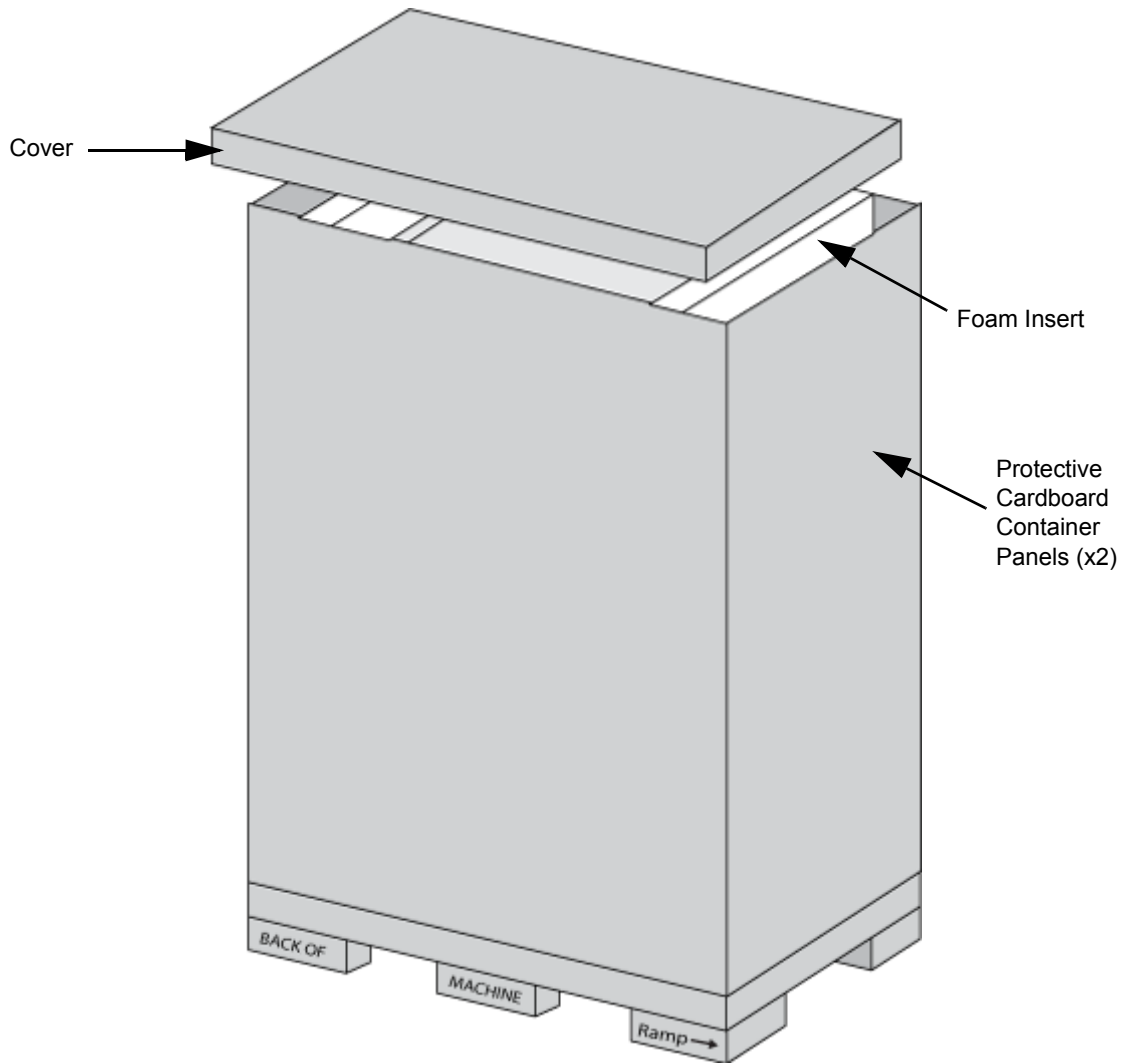


Warning: Shipping bands are very tight; when cutting shipping bands they may pop open with force. Wear safety glasses when removing the shipping bands.

3. Carefully cut the shipping bands (Figure 3).

4. Remove the cardboard cover from the top of the crate (Figure 4).
5. Remove the 2 protective cardboard container panels encasing the printer (Figure 4).
6. Remove the foam restraining insert from the top of the printer (Figure 4).

Figure 4: Unpacking the Printer (cover removed)



7. Remove the printer from the shipping base, this can be done using a fork lift (see [“Remove Printer from Shipping Base - Fork Lift Instructions”](#) on page 11) or manually via the use of a ramp (see [“Remove Printer from Shipping Base - Ramp Instructions”](#) on page 12).

REMOVE PRINTER FROM SHIPPING BASE - FORK LIFT INSTRUCTIONS

1. Unlatch the two link locks securing the ramp in a vertical position (Figure 6). Remove the foam insert from the top edge of the ramp and set the ramp aside.
2. Unlatch the link locks indicated in Figure 7 and remove the panels secured by these link locks.
3. Remove all tape and carefully unwrap the printer by pulling the plastic bag downward.



Caution: Use care when cutting the plastic bag to avoid scratching the printer's surfaces.

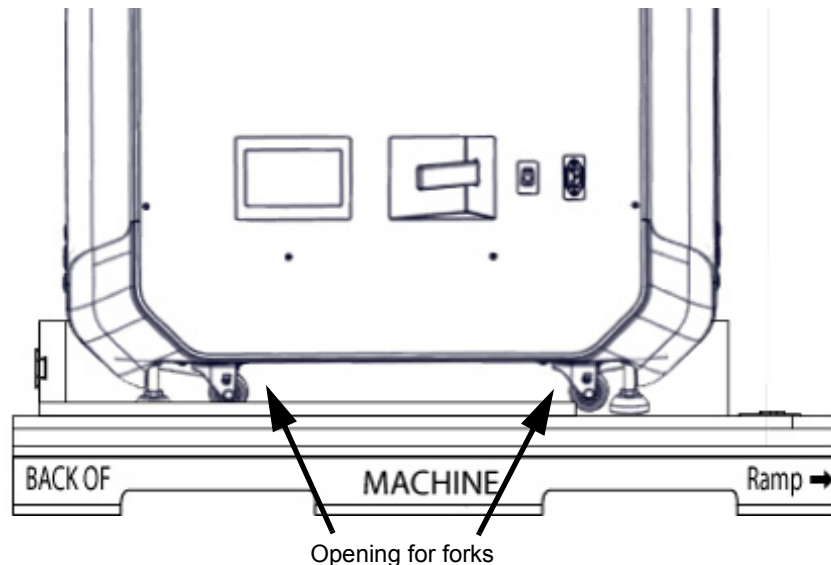
4. Using a utility knife, cut away and remove the plastic bag's material ensuring that the bag is not blocking the fork lift openings or the printer's wheels.



Caution: Access the fork lift openings from the back of the printer (Figure 5).

5. Using a forklift, carefully raise the printer vertically and remove the shipping base.

Figure 5: Opening for Forks



6. Gently lower the printer, until it rests on its wheels.
7. Inspect the printer's exterior for dents and scratches. Immediately report any damage to Stratasys and the shipping company.
8. Roll the printer into its approximate operating location.



Note: Position the printer to allow at least three feet of clearance on all sides until the installation process is complete, see [“Physical Specifications and Space Requirements” on page 3](#). Refer to Chapter 2 of the F123 Series User Guide for final setup instructions.

9. Open the oven door, cut the cable tie securing the startup materials, and remove the startup materials from the oven chamber.
10. Open the top cover. Remove the orange clip affixed to the X belt, and cut the orange tie wrap securing the X motor to the printer's frame (front-left corner of frame).
11. Open the chamber door and remove the orange tape securing the tip wipe assemblies to the purge chute.

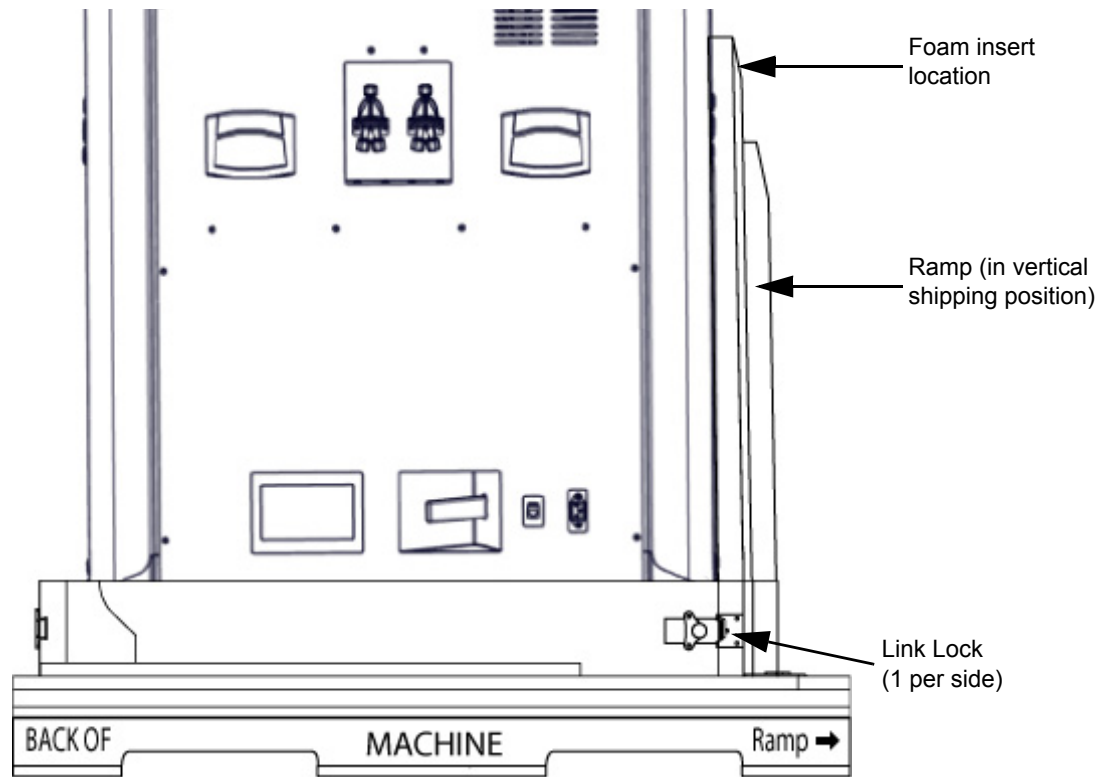
REMOVE PRINTER FROM SHIPPING BASE - RAMP INSTRUCTIONS



Warning: Before removing the printer via the ramp, ensure that you have enough manpower to remove the printer from the shipping base, as the printer is heavy (see “Dimensions and Weights” on page 3). A minimum of 2 capable adults should be used to remove the printer from the shipping base.

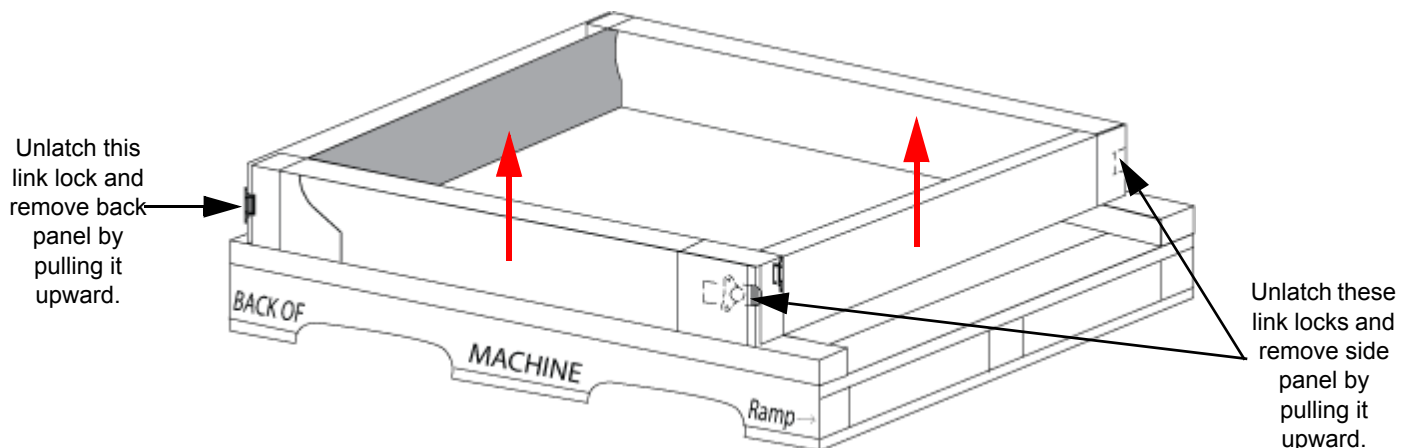
1. Unlatch the two link locks securing the ramp in a vertical position (Figure 6). Remove the foam insert from the top edge of the ramp and set the ramp aside.

Figure 6: Ramp Hardware



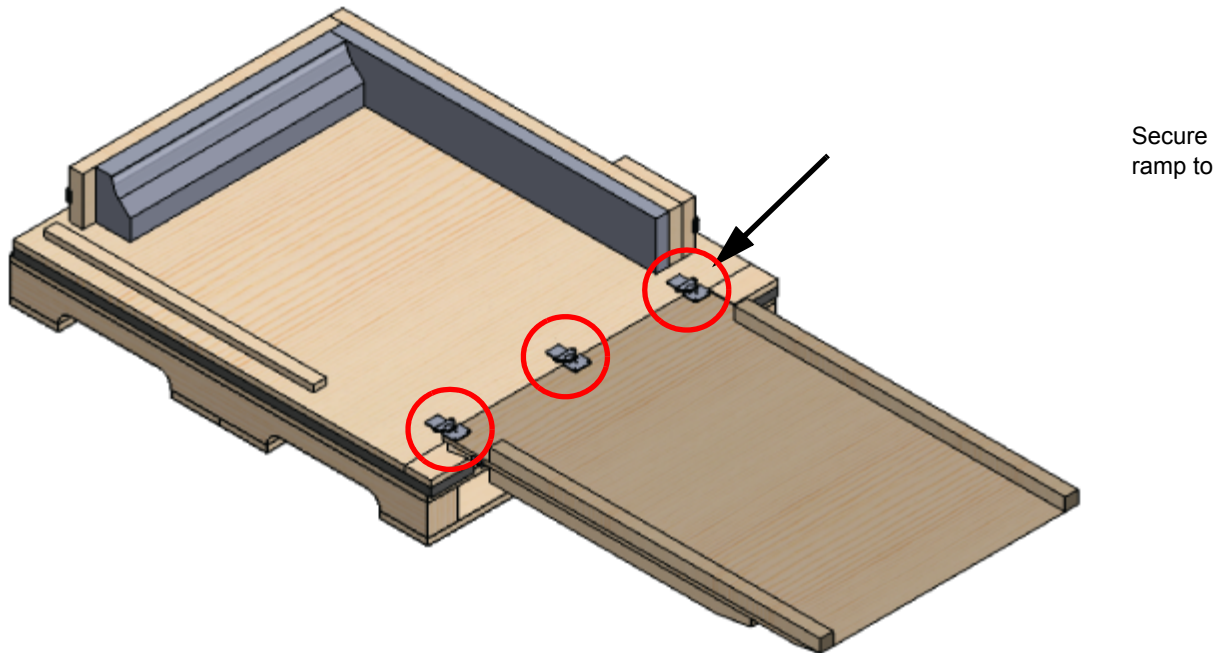
2. Unlatch the link locks indicated in Figure 7 and remove the panels secured by these link locks.

Figure 7: Remove Shipping Base Panels



3. Secure the ramp to the shipping base using the 3 link locks on the edge of the shipping base.

Figure 8: Ramp Connected



Caution: Use care when cutting the plastic bag to avoid scratching the printer's surfaces.

4. Remove all tape and carefully unwrap the printer by pulling the plastic bag downward.
5. Using a utility knife cut, away and remove the plastic bag's material. Ensure that the bag is not blocking the exit side of the ramp or the printer's wheels so that the printer can roll freely down the ramp.
6. Carefully roll the printer from the shipping base using the ramp.



Note: When removing the printer it is recommended that one person guide each side of the printer.

7. Inspect the printer's exterior for dents and scratches. Immediately report any damage to Stratasy and the shipping company.
8. Roll the printer into its approximate operating location.



Note: Position the printer to allow at least three feet of clearance on all sides until the installation process is complete, see "[Physical Specifications and Space Requirements](#)" on page 3. Refer to Chapter 2 of the F123 Series User Guide for final setup instructions.

9. Open the oven door, cut the cable tie securing the startup materials, and remove the startup materials from the oven chamber.
10. Open the top cover. Remove the orange clip affixed to the X belt, and cut the orange tie wrap securing the X motor to the printer's frame (front-left corner of frame).
11. Open the chamber door and remove the orange tape securing the tip wipe assemblies to the purge chute.

SITE PREPARATION CHECKLIST

ELECTRICAL INSTALLATION REQUIREMENTS

- A dedicated outlet of 100-132, 200-240 VAC~15-7A 50/60 Hz has been installed.
- The grounded electrical outlet is within 2 meters (80 inches) of the printer.
- The grounded electrical outlet is able to accept either a Euro or US power cord plug.
- If utilizing a LAN connection, the LAN connection is within 4 meters (14 feet) of the printer.

ENVIRONMENTAL REQUIREMENTS

- The site's environmental temperature is between 59°F to 86°F (13°C to 30°C).
- The site's environmental humidity is between 30% to 70%, non-condensing.
- The site's altitude does not exceed 6561.68 feet (2000 m).

REQUIRED INSTALLATION TASKS

- GrabCAD Print software has been downloaded and installed on the user's workstation PC.
- The Welcome Kit and startup materials have been removed from the oven chamber and storage drawer.
- The orange clip securing the X belt in place has been removed.
- The orange tie wrap securing the X motor in place has been removed.



info@stratasys.com

STRATASYS.COM

HEADQUARTERS

7665 Commerce Way, Eden Prairie, MN 55344
+1 888 480 3548 (US Toll Free)
+1 952 937 3000 (Intl)
+1 952 937 0070 (Fax)

2 Holtzman St., Science Park, PO Box 2496
Rehovot 76124, Israel
+972 74 745-4000
+972 74 745 5000 (Fax)

ISO 9001:2008 Certified
© Copyright 2017 Stratasys Inc. All rights reserved.

For more information about Stratasys systems, materials, and applications call 888.480.3548 or visit www.stratasys.com.

DOCUMENTATION FEEDBACK

Customers, resellers, and Stratasys employees are encouraged to send comments about our documentation and training to c-support@stratasys.com. We greatly value your comments, review all of them, and use them to improve subsequent releases of the documentation. In your email message please include the document title, part number (located on the front cover), and page number. Please note that we do not respond to general questions or support requests submitted to this email address.