

# sca3600

## Site Preparation Guide

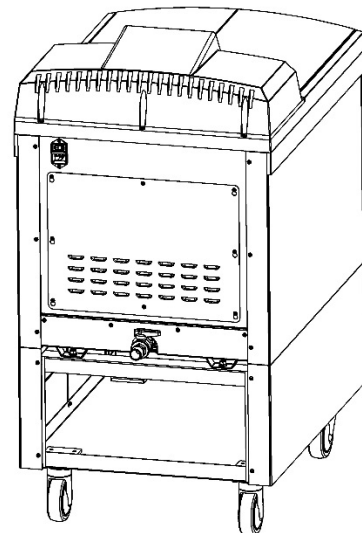
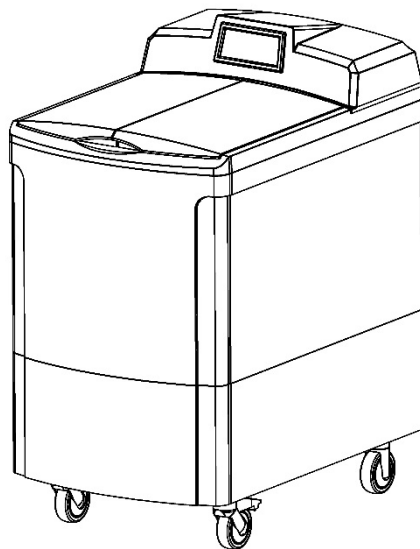
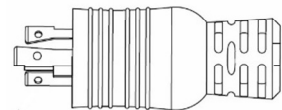
This Site Preparation Guide provides information for selecting an appropriate location for the SCA 3600 Support Cleaning Apparatus. The customer is responsible to prepare the installation site for the SCA 3600.

### Site preparation requirements

- Shipping carton + pallet dimensions: 107.4 X 72.4 x 130.0 cm (42.3 D x 28.5 W x 51.2 H in).
- The SCA must be located on a level floor able to support 204 kg (450 lbs), the system weight when filled with water.
- The SCA has an integral rolling cart for easy relocation to the installation site.
- Place the SCA in a well-ventilated area.
- The operating environmental temperature must be between 5°C - 40°C (41°F – 104°F); and operating environmental humidity between 0% - 80% RH.
- Consider how the SCA will be filled and drained when choosing the location. The SCA relies on gravity to drain the cleaning tank.
- Use of a graywater tote facilitates draining the cleaning tank and provides transport and/or storage of the effluent for later disposal. Contact PADT ([sca@padtinc.com](mailto:sca@padtinc.com)) if interested in purchasing a tote.
- A grounded electrical outlet (208-240VAC, 50/60Hz, 20A, single phase) to connect with either the provided European (CEE 7) or US (NEMA L6-20P) power cord plug.
- The electrical outlet must be located within 2 m (6 ft) of the SCA.  
Do not use an extension cord or power strip with the system.



L6-P20  
plug



For service/support please contact your Stratasys service provider. If you do not know your service provider's contact information visit: [www.stratasys.com/customer-support/contact-customer-support](http://www.stratasys.com/customer-support/contact-customer-support)